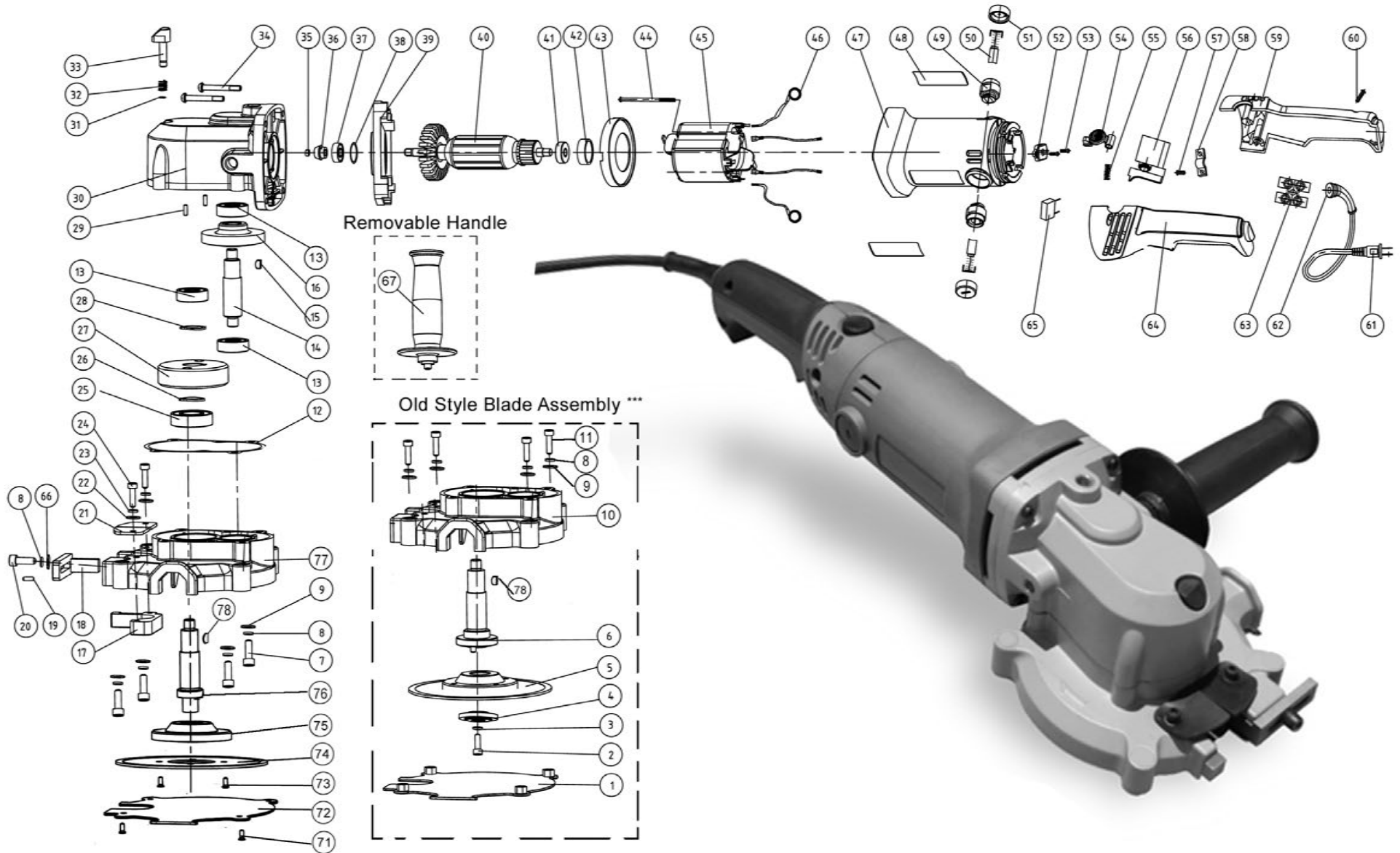


# BNCE-20 Corded Parts Drawing (2012)



Item ID	Item Description
BNCEP-01	BOTTOM PLATE GUARD
BNCEP-02	HEX BOLT (M6X20)
BNCEP-03	RETAINER WASHER (6mm)
BNCEP-04	BLADE FLANGE
BNCEP-06	BLADE SPINDLE
BNCEP-07	HEX BOLT (M5X30)
BNCEP-08	RETAINER WASHER (5mm)
BNCEP-09	PLAIN WASHER (5mm)
BNCEP-10	HOUSING, ALUMINUM
BNCEP-11	HEX BOLT (M5X20)
BNCEP-12	GASKET SEAL
BNCEP-13	BALL BEARING (608Z)
BNCEP-14	GEAR SHAFT
BNCEP-15	WOODRUFF KEY
BNCEP-16	BEVEL GEAR
BNCEP-17	FIXED CUTTING GUIDE BLOCK
BNCEP-18	MOVABLE CUTTING GUIDE BLOCK
BNCEP-19	PIN (A5X10)
BNCEP-20	HEX BOLT (M5X15)
BNCEP-21	LEFT & RIGHT RUBBER PLATE
BNCEP-22	PLAIN WASHER (4mm)
BNCEP-23	RETAINER WASHER (4mm)
BNCEP-24	HEX BOLT (M4X20)
BNCEP-25	BALL BEARING (6002-2RS)
BNCEP-26	SPACER
BNCEP-27	BIG GEAR
BNCEP-28	RETAINING RING
BNCEP-29	PIN (A5X16)
BNCEP-30	ALUMINUM GEAR BOX HOUSING
BNCEP-31	STEEL RING (6mm)
BNCEP-32	SPRING FOR LOCK BUTTON
BNCEP-33	BLADE LOCKING BUTTONS
BNCEP-34	PAN HEAD TAPPING SCREW 4.2X32
BNCEP-35	HEX NUT (M6)
BNCEP-36	BEVEL PINION
BNCEP-37	BALL BEARING (60000-2Z)

BNCEP-38	O-RING (25X2)
BNCEP-39	DIAPHRAGM
BNCEP-40	ARMATURE
BNCEP-41	BALL BEARING (607-2RS)
BNCEP-42	BEARING BUSHING
BNCEP-43	FAN GUIDE
BNCEP-44	PAN HEAD TAPPING SCREW
BNCEP-45	STATOR COIL
BNCEP-46	ELECTRICAL CONNECTOR
BNCEP-47	ELECTRICAL HOUSING
BNCEP-48	NAME PLATES
BNCEP-49	BRUSH HOLDER
BNCEP-50	CARBON BRUSH SET (BNCE-20)
BNCEP-51	CARBON BRUSH CAP (BNCE-20)
BNCEP-52	PLATE FOR INNER WIRE
BNCEP-53	PAN HEAD TAPPING SCREW
BNCEP-54	ROTATION BUTTON FOR HANDLE
BNCEP-55	SPRING FOR ROTATION BUTTON
BNCEP-56	TRIGGER SWITCH
BNCEP-57	PAN HEAD TAPPING SCREW
BNCEP-58	CORD RETAINING CLAMP
BNCEP-59	RIGHT HANDLE
BNCEP-60	PAN HEAD TAPPING SCREW
BNCEP-61	POWER CORD - 120V 60HZ
BNCEP-62	CORD ARMOR
BNCEP-63	TERMINAL
BNCEP-64	LEFT HANDLE
BNCEP-65	CAPACITOR
BNCEP-66	PLATE WASHER (5mm)
BNCEP-67	3 - POSITION SIDE HANDLE
BNCEP-PIN	PIN FOR BLADE SPINDLE (BNCE-20)
BNCEP1-71	HEXAGON SOCKET SCREW (M5X15)
BNCEP1-72	BOTTOM PLATE GUARD
BNCEP1-73	HEXAGON SOCKET SCREW (M5X8)
BNCEP1-75	BLADE FLANGE AND SPINDLE
BNCEP1-77	HOUSING, ALUM (NEW STYLE)
BNCEP-78	KEY FOR BLADE SPINDLE